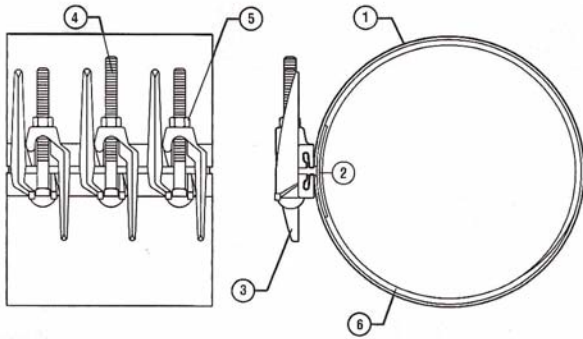




# ABRAZADERA REPARACION



| Parte | Nombre              | Material   |
|-------|---------------------|--|
| 1     | Panel               | Acero inoxidable tipo 304 (18-8) según norma ASTM A240   |
| 2     | Platina de Ensamble | Tipo 304 Acero Inoxidable ASTM A240  |
| 3     | Orejas de Ensamble  | Hierro dúctil según norma ASTM A536 con superficie electrogalvanizada.   |
| 4     | Pernos              | Acero según normas ASTM A325, ASTM A563 y AWWA C111. Acero de Baja Aleación Alta resistencia   |
| 5     | Tuercas             | Acero según normas ASTM A325, ASTM A563 y AWWA C111. Acero de Baja Aleación Alta resistencia   |
| 6     | Empaque             | Check-O-Seal. Material Nitrilo (Buna-N, NBR), espesor 1/4" con diseño waffle para garantizar un desempeño del 100% bajo diferentes condiciones de presión, acidez y salinidad del medio, soporta agua potable, petrolíferos y muchos de los hidrocarburos alifáticos |

## Panel Simple 3121

| Diámetro Nominal |            | Rango del Diámetro Exterior |             |            |
|------------------|------------|-----------------------------|-------------|------------|
| Pulgadas         | Milímetros |                             | Pulgadas    | Milímetros |
| 1 1/4            | 26         | -                           | 1.66        | 42         |
| 1 1/2            | 38         | -                           | 1.88-1.92   | 48-49      |
| 2                | 50         | -                           | 2.35-2.63   | 60-67      |
| 2 1/2            | 63         | -                           | 2.70-3.00   | 69-77      |
| 3                | 75         | A                           | 2.97-3.25   | 75-83      |
|                  |            | B                           | 3.46-3.70   | 88-94      |
|                  |            | C                           | 3.73-4.00   | 95-102     |
|                  |            | D                           | 3.95-4.25   | 101-108    |
| 4                | 100        | A                           | 4.45-4.73   | 113-120    |
|                  |            | B                           | 4.74-5.14   | 120-131    |
|                  |            | C                           | 4.95-5.35   | 126-136    |
|                  |            | D                           | 5.22-5.62   | 133-143    |
| 6                | 150        | A                           | 5.95-6.35   | 151-161    |
|                  |            | B                           | 6.56-6.96   | 167-177    |
|                  |            | C                           | 6.84-7.24   | 174-184    |
|                  |            | D                           | 7.05-7.45   | 179-189    |
|                  |            | E                           | 7.45-7.85   | 189-199    |
| 8                | 200        | A                           | 7.95-8.35   | 202-212    |
|                  |            | B                           | 8.54-8.94   | 217-227    |
|                  |            | C                           | 8.99-9.39   | 228-239    |
|                  |            | D                           | 9.27-9.67   | 235-246    |
| 10               | 250        | A                           | 9.70-10.10  | 246-257    |
|                  |            | B                           | 10.64-11.04 | 270-280    |
|                  |            | C                           | 11.04-11.44 | 280-291    |
|                  |            | D                           | 11.34-11.74 | 288-298    |
|                  |            | E                           | 11.75-12.15 | 298-309    |
| 12               | 300        | A                           | 12.00-12.40 | 305-315    |
|                  |            | B                           | 12.62-13.02 | 321-331    |
|                  |            | C                           | 13.10-13.50 | 333-343    |
|                  |            | D                           | 13.40-13.80 | 340-351    |
|                  |            | E                           | 13.70-14.10 | 348-358    |
|                  |            | F                           | 14.00-14.40 | 356-366    |

## Panel Doble 3122

| Diámetro Nominal |            | Rango del Diámetro Exterior |             |            |
|------------------|------------|-----------------------------|-------------|------------|
| Pulgadas         | Milímetros |                             | Pulgadas    | Milímetros |
| 3                | 75         | -                           | 3.49-4.29   | 89-109     |
| 4                | 100        | A                           | 4.44-5.24   | 113-133    |
|                  |            | B                           | 4.74-5.57   | 120-141    |
| 6                | 150        | A                           | 6.62-7.42   | 168-188    |
|                  |            | B                           | 6.84-7.64   | 174-194    |
| 8                | 200        | A                           | 8.62-9.42   | 219-239    |
|                  |            | B                           | 8.99-9.79   | 228-249    |
| 10               | 250        | A                           | 10.75-11.55 | 273-293    |
|                  |            | B                           | 11.10-11.90 | 282-302    |
|                  |            | C                           | 11.04-12.24 | 280-311    |
|                  |            | D                           | 11.60-12.40 | 295-315    |
| 12               | 300        | A                           | 12.75-13.55 | 324-344    |
|                  |            | B                           | 13.20-14.00 | 335-356    |
|                  |            | C                           | 13.14-14.34 | 334-364    |
|                  |            | D                           | 13.65-14.45 | 347-367    |
|                  |            | E                           | 13.65-14.85 | 347-377    |
| 14               | 350        | A                           | 14.38-15.13 | 365-384    |
|                  |            | B                           | 15.07-15.82 | 383-402    |
| 16               | 400        | A                           | 15.92-16.67 | 404-423    |
|                  |            | B                           | 16.56-17.31 | 421-440    |
|                  |            | C                           | 17.15-17.90 | 436-455    |
| 18               | 450        | A                           | 17.82-18.57 | 453-472    |
|                  |            | B                           | 18.46-19.21 | 469-488    |
|                  |            | C                           | 19.23-19.98 | 488-507    |
| 20               | 500        | A                           | 19.90-20.65 | 505-525    |
|                  |            | B                           | 20.70-21.45 | 526-545    |
| 22               | 550        | A                           | 21.52-22.27 | 547-566    |
|                  |            | B                           | 22.12-22.87 | 562-581    |
|                  |            | C                           | 22.90-23.65 | 582-601    |

## Panel Triple 3123

| Diámetro Nominal |            | Rango del Diámetro Exterior |             |            |
|------------------|------------|-----------------------------|-------------|------------|
| Pulgadas         | Milímetros |                             | Pulgadas    | Milímetros |
| 10               | 250        | A                           | 11.04-12.24 | 280-311    |
|                  |            | B                           | 13.14-14.34 | 334-364    |
| 12               | 300        | A                           | 13.65-14.85 | 347-377    |
|                  |            | B                           | 14.95-16.05 | 377-408    |
| 14               | 350        | A                           | 14.95-16.05 | 377-408    |
|                  |            | B                           | 15.92-17.12 | 404-435    |
| 16               | 400        | A                           | 17.15-18.35 | 436-466    |
|                  |            | B                           | 18.46-19.66 | 469-499    |
| 18               | 450        | A                           | 19.45-20.65 | 494-525    |
|                  |            | B                           | 21.52-22.72 | 547-577    |
| 20               | 500        | A                           | 22.80-24.00 | 579-610    |
|                  |            | B                           | 23.28-24.48 | 591-622    |
| 24               | 600        | A                           | 24.38-25.58 | 619-650    |
|                  |            | B                           | 25.70-26.90 | 653-683    |
|                  |            | C                           | 26.48-27.68 | 673-703    |
|                  |            | D                           | 27.65-28.85 | 702-733    |
|                  |            | E                           | 28.73-29.93 | 730-760    |
| 30               | 750        | A                           | 29.62-30.82 | 752-783    |
|                  |            | B                           | 31.74-32.94 | 806-837    |
|                  |            | C                           | 32.40-33.60 | 823-853    |
| 36               | 900        | A                           | 37.93-39.13 | 963-994    |
|                  |            | B                           | 38.54-39.74 | 979-1009   |
|                  |            | C                           | 39.16-40.36 | 995-1025   |
|                  |            | D                           | 39.55-40.75 | 1005-1035  |
| 48               | 1200       | A                           | 50.10-51.30 | 1273-1303  |
|                  |            | B                           | 50.72-51.92 | 1288-1319  |
|                  |            | C                           | 51.34-52.54 | 1304-1335  |
|                  |            | D                           | 51.72-52.92 | 1314-1344  |